

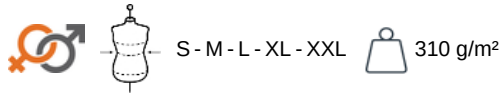


WKP814

Multi-use work glove

- Work gloves with reinforced touch-screen sensitive finger tips.
- Hard-wearing, practical and multi-functional.
- Breathable, comfortable fabric.

Polyurethane / Polyester / Elastane / Goatskin. High-performance multi-use work gloves. Gloves comply with the following standards: EN 388:2016+A1:2018 and EN ISO 21420. These gloves are practical and provide a good grip for all your daily activities. Non-exhaustive list of possible uses: warehouse, home, deliveries, cleaning, construction, equipment maintenance, manoeuvres, gardening, etc. Touchscreen function: work gloves with reinforced fingertips and touchscreen feature, breathable and comfortable fabric. Elasticated fabric cuff with tear release fastening.



Convoy
Grey /
Black /
Silver

More information

Logistic



Country of origin



PK - Pakistan

Customs code



61161020

Washing instructions

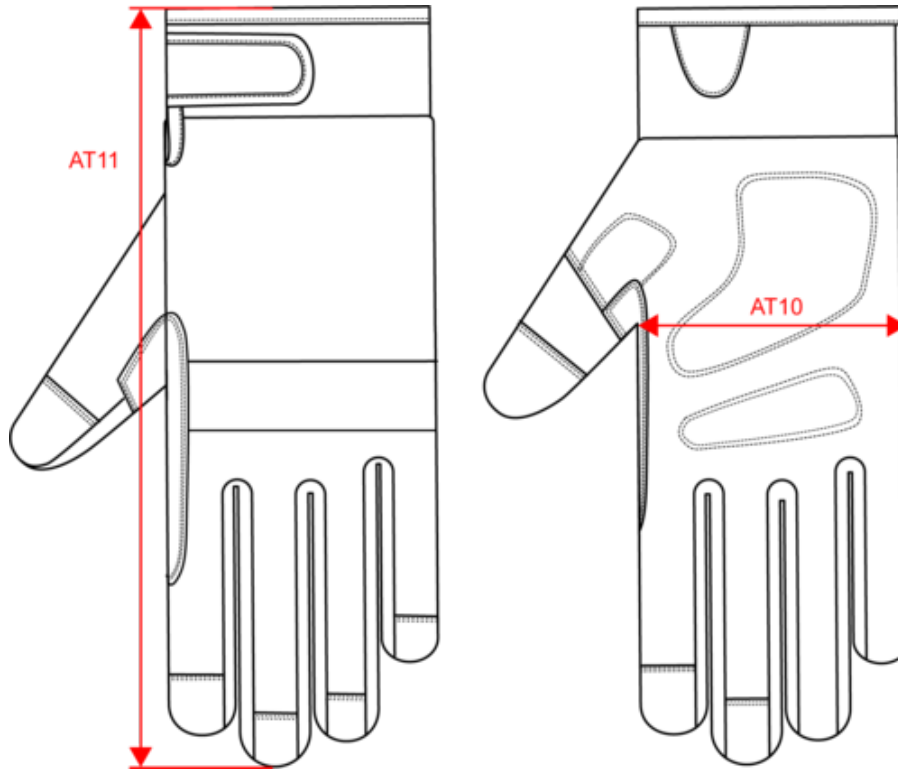




WKP814

Multi-use work glove

Dimensions (cm)



Measurements in cm	S	M	L	XL	XXL
AT10 - Width of palm level with top of thumb palm seam	10.00	10.50	11.00	11.50	12.00
AT11 - Length of glove from cuff edge to top finger.	23.00	24.00	25.00	25.50	26.00



WKP814

Multi-use work glove

Colours information



Convoy Grey

RVB : 85,88,95
Pantone C : Coll Gray 11C
Pantone TCX : 19-4215TCX

Black

RVB : 35,35,37
Pantone C : Black
Pantone TCX : 19-4004TCX

Silver

RVB : 126,128,128
Pantone C : 877C
Pantone TCX : 17-00000TCX

Logistic



1



100

Sizes	Width (cm)	Height (cm)	Length (cm)	Net weight (kg)	Gross weight (kg)	Pieces/Box	Pieces/Bundle
S	40.00	23.00	60.00	8.50000	10.00000	100	1
M	40.00	23.00	60.00	8.50000	10.00000	100	1
L	40.00	23.00	60.00	8.50000	10.00000	100	1
XL	40.00	23.00	60.00	8.50000	10.00000	100	1
XXL	40.00	23.00	60.00	8.50000	10.00000	100	1